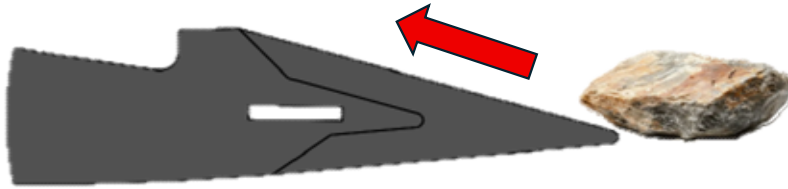
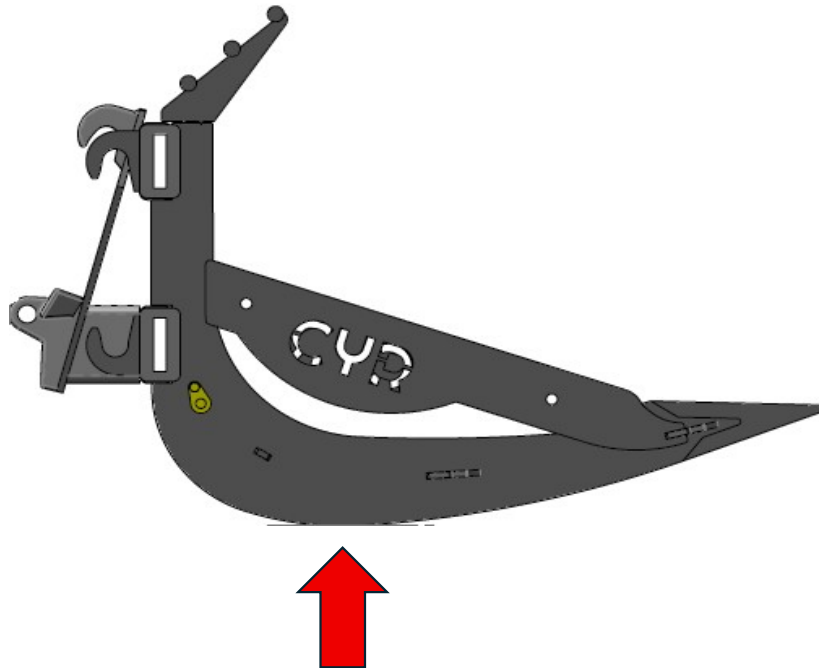


## Selling points / Les avantages fourche cyr

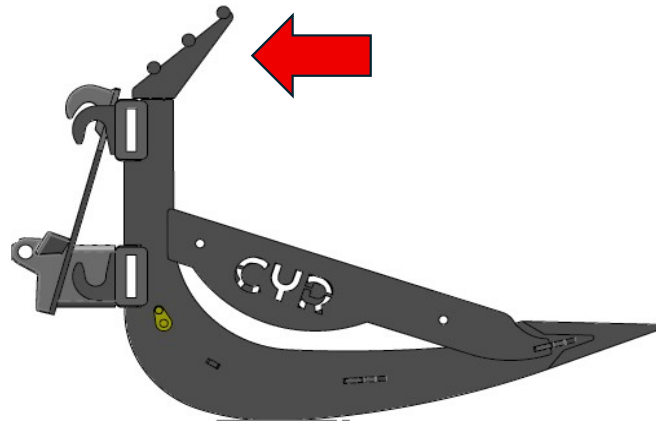
1. Loading rocks without any obstruction. / Chargement des roches sans obstacle.



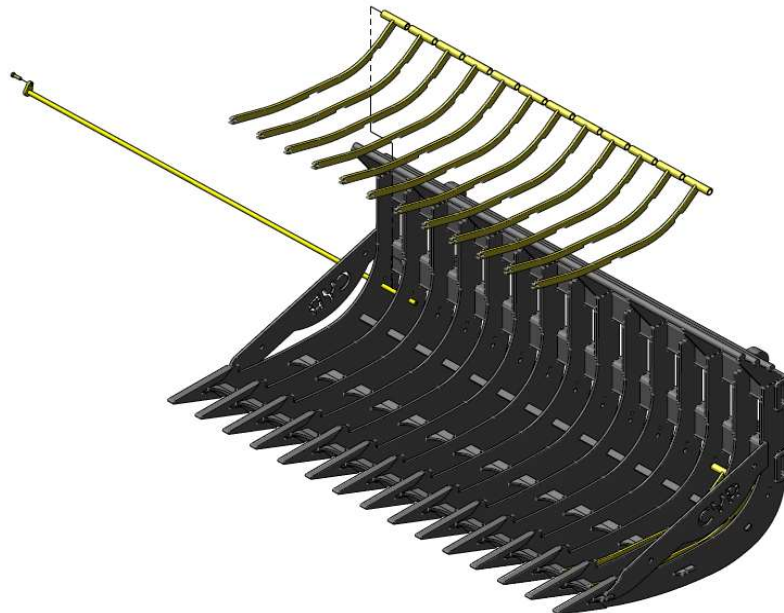
2. Curved bottom that acts as a lever effect facilitating the extraction of debris while reducing the effort required from the hydraulic cylinders. / Fond courbé qui agit comme un effet de levier facilitant l'extraction des débris tout en réduisant l'effort des cylindres hydraulique.



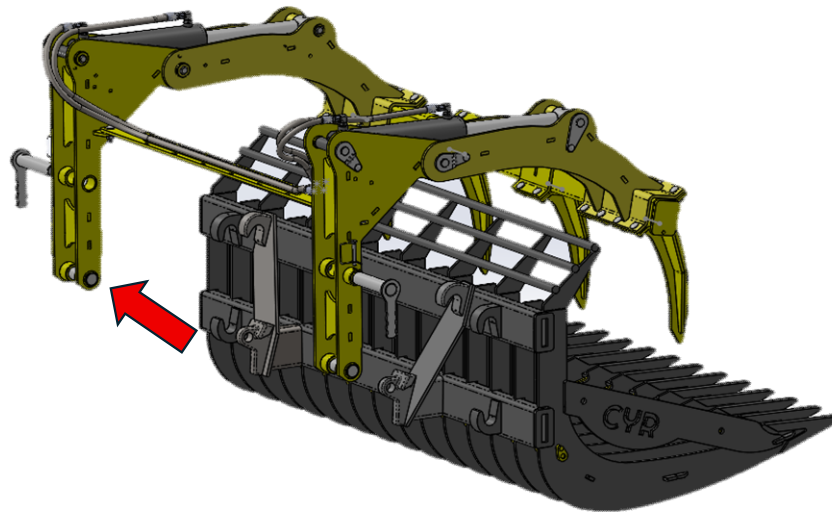
3. Standard stone guard with all forks for the protection of hydraulic cylinders. / Pare-pierre de série avec toutes les fourches pour la protection des cylindres hydraulique.



4. Easily removable screening rod for sifting different sizes of material. / Barre de tamis facilement amovible pour tamiser différentes grosseurs de matériel.



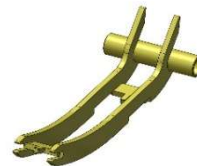
5. Possibility of a modular hydraulic grapple that can be easily dismantled if needed. / Possibilité d'un grappin hydraulique modulaire et facilement démontable au besoin.



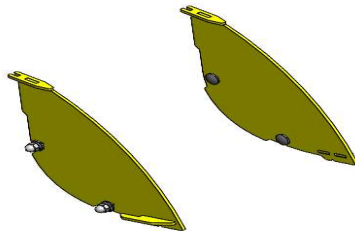
6. / Modular fork with several options available depending on your work and equipment. .Fourche modulaire avec plusieurs options disponible selon vos travaux et votre équipement.



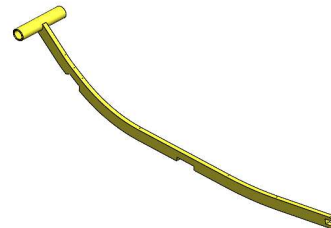
Tamis triple / Tripple screening rod



Tamis double / Double screening rod



Coté haut / high side



Tamis simple / Simple screening rod

7. Made of hardened steel. / Construction robuste en acier trempé.



8. Made in Canada. / Fabrication canadienne.

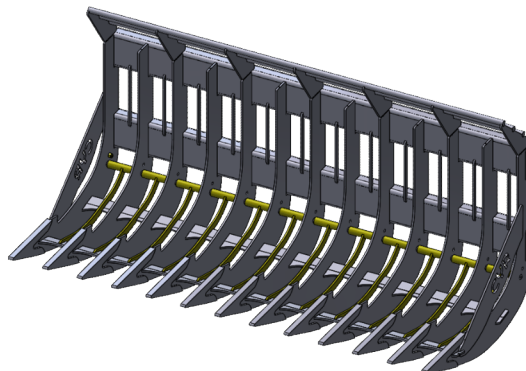


# PTC Serie

# Forks for compact category

## Suitable for compact tractors, small wheel loaders and small skidsteers

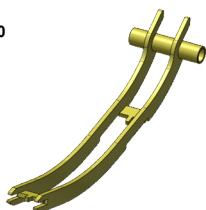
- \* Heavy construction with hardened steel
- \* Thickness of teeth 1/4"
- \* Thickness of tips 3/4"
- \* Integrated stone guard for maximum protection
- \* Spacing of 4 3/4" between main teeth
- \* Quick removeable screening rod for sifting (reduce space at 2 1/4")
- \* Color : dark grey with screening rod yellow
- \* Deep 28 1/4"
- \* High 28 1/2"



Description	Screening rod (qty)	Weight (lbs)	Width (in)	Mounting type	Part #	Price (Cad)
50" Compact fork	10	328	50"	Blank	PTC050 999	3 350.00 \$
		405	50"	Skidsteer	PTC050 034	3 550.00 \$
60" Compact fork	12	387	60"	Blank	PTC060 999	3 850.00 \$
		464	60"	Skidsteer	PTC060 034	4 050.00 \$
		401	60"	John Derre 200-300x	PTC060 020	4 050.00 \$
70" Compact fork	14	447	70"	Blank	PTC070 999	4 350.00 \$
		524	70"	Skidsteer	PTC070 034	4 550.00 \$
		461	70"	John Derre 200-300x	PTC070 020	4 550.00 \$

Options	Weight (lbs)	Mounting type	Part #	Price (Cad)	
Double screening rod (space 1 3/8")	unit price	3.1	Clip on with bolted lock rod	TAM-010	55.00 \$
Tripple screening rod (space 1")	unit price	4.4	Clip on with bolted lock rod	TAM-011	60.00 \$
Grapple			Quick attach		Coming soon

TAM-010



TAM-011

